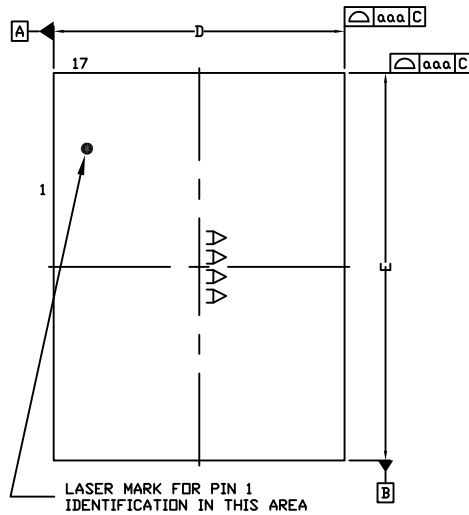
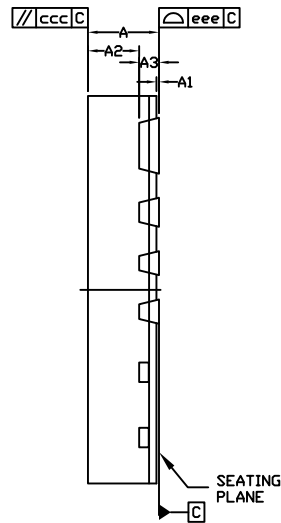


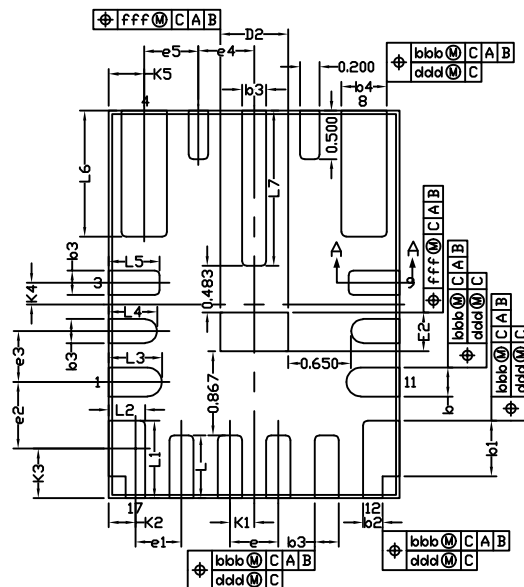
※ CONTROLLING DIMENSION : MM



TOP VIEW



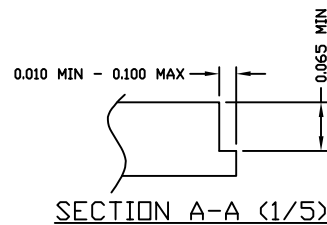
SIDE VIEW



BOTTOM VIEW

NOTES:

1. ALL DIMENSIONS ARE IN MILLIMETERS UNLESS OTHERWISE SPECIFIED.
2. DIMENSIONING & TOLERANCING CONFORM TO ASME Y14.5-2009.
3. COPLANARITY APPLIES TO THE TERMINALS AND ALL OTHER BOTTOM SURFACE METALLIZATION.
4. MARKING SHOWN IS FOR PACKAGE ORIENTATION REFERENCE ONLY.
5. MATERIAL MUST BE COMPLIANT WITH MAXIM SPECIFICATION 10-0131 FOR SUBSTANCE CONTENT, MUST BE Eu ROHS COMPLIANT WITHOUT EXEMPTION AND PB-FREE.
6. ALL DIMENSIONS APPLY TO PbFREE (+) PKG. CODE ONLY.
7. Package code is F173B4FY+1.



SYMBOL	MILLIMETER		
	MIN.	NDM.	MAX.
A	0.700	0.750	0.800
A1	0.000	—	0.050
A2	—	0.530	0.580
A3	—	0.203	REF.
b	0.250	0.300	0.350
b1	0.525	0.575	0.625
b2	0.150	0.200	0.250
b3	0.200	0.250	0.300
b4	0.420	0.470	0.520
D	—	3	BSC
D2	0.600	0.700	0.800
E	—	4	BSC
E2	0.300	0.400	0.500
L	0.550	0.650	0.750
L1	0.700	0.800	0.900
L2	0.275	0.375	0.475
L3	0.450	0.550	0.650
L4	0.400	0.500	0.600
L5	0.425	0.525	0.625
L6	1.200	1.300	1.400
L7	1.500	1.600	1.700
e	—	0.500	BSC
e1	—	0.475	BSC
e2	—	0.688	BSC
e3	—	0.525	BSC
e4	—	0.575	BSC
e5	—	0.560	BSC
K1	—	0.250	BSC
K2	—	0.275	BSC
K3	—	0.513	BSC
K4	—	0.225	BSC
K5	—	0.365	BSC
TOLERANCES OF FORM AND POSITION			
aaa	—	0.150	
bbb	—	0.100	
ccc	—	0.100	
ddd	—	0.050	
eee	—	0.080	
fff	—	0.100	



TITLE:
PACKAGE OUTLINE, 17L, FC2QFN
3x4x0.75MM

APPROVAL ZHEN LI	DOCUMENT CONTROL NO. 21-100671	REV. D	1/1
---------------------	-----------------------------------	-----------	-----