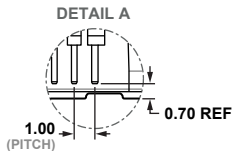
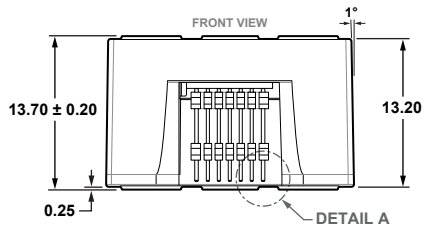
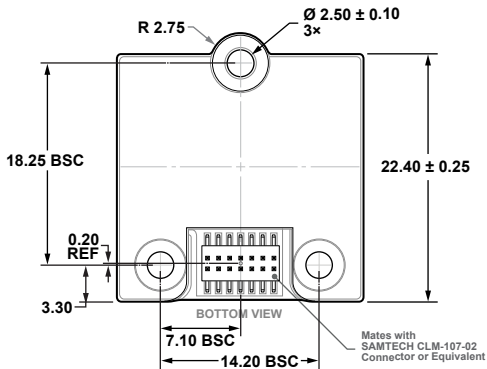
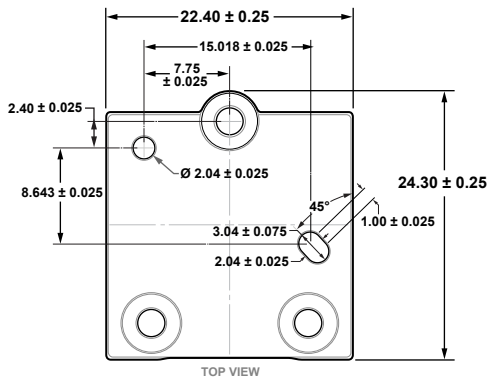


**14-Lead Module with Connector Interface [MODULE]
(ML-14-10)**

Dimensions shown in millimeters



UNLESS OTHERWISE SPECIFIED
TOLERANCES ARE:

X.XX = ± 0.15
Degrees = ± 1.0