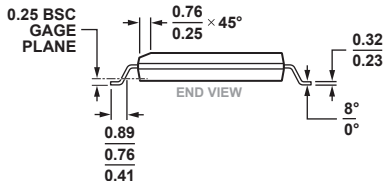
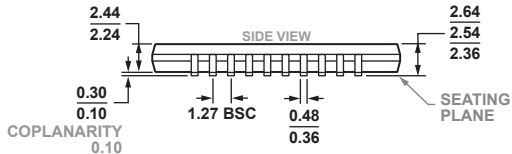
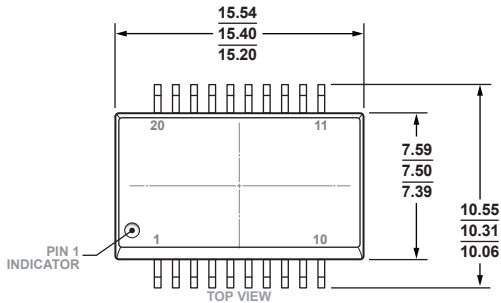


**20-Lead Standard Small Outline Package, with Increased Creepage [SOIC\_IC]  
Wide Body  
(RI-20-1)**

Dimensions shown in millimeters.



COMPLIANT TO JEDEC STANDARDS MS-013-AD